

Shenzhen Anke High-tech Co., Ltd.

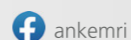
Address: Block B, LingYa Industrial Zone, Tangtou No.1 Road, Bao'an District, Shenzhen, 518108, P.R. China

Tel: +86-755-21622518 26688889

Email: anke@anke.com

Fax: +86-755-26695307 26685908

Website: www.anke.com



ANATOM V200
ANATOM V210

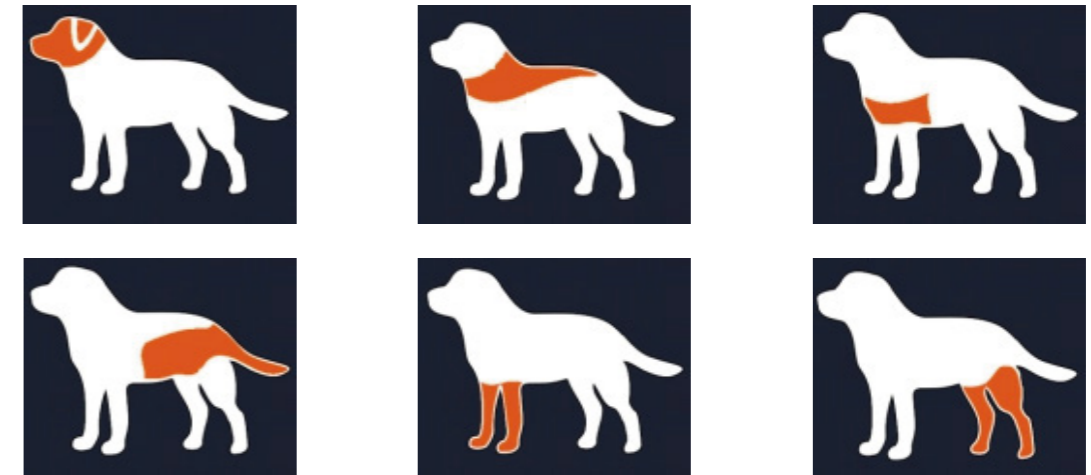
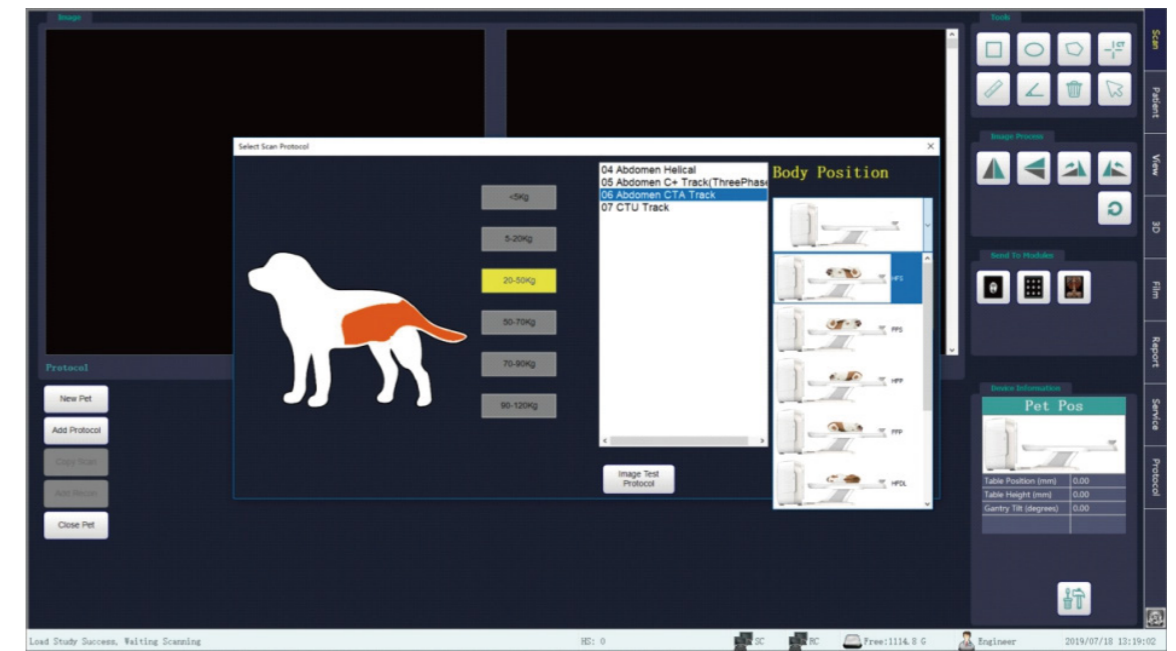
Premium care for our companion!



Presently, the number of households owning pets are growing steadily. Countless pet clinics are in need of reliable and affordable diagnosis and treatment solutions. ANKE's ANATOM Vet CT Solution, empowering veterinarians by delivering high-efficiency workflow and closer care for pet patients. Stay with ANKE, unlock the future of veterinary diagnosis.



Professional Vet Scanning Workflow



Professional Vet Scanning Workflow



Exceptional Image Quality



Durable and Low-dose Platform



Boost Efficiency with Cost-effective



Designed for Vet: Customized UI simplifies veterinary operations



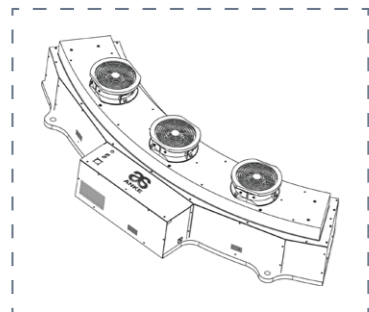
Scan multiple pets: Professional scanning protocols cover all common pet companions



Scan with ease: Quick selection of scan areas streamlines workflow



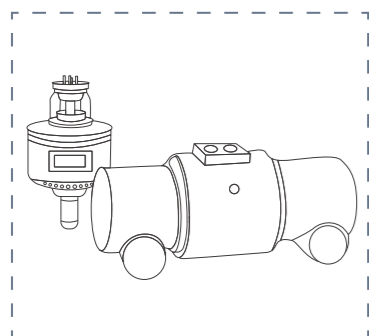
Durable and Low-dose Platform



New Generation OptiWave™ Detector

32 rows/32 slices **32 rows/64 slices**

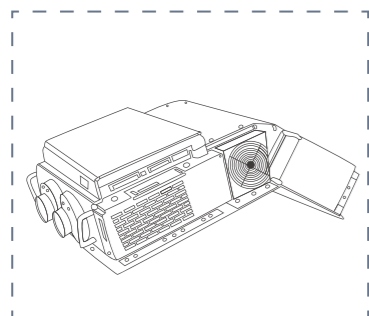
- Higher X-ray utilization for high-definition imaging
- 10-year signal attenuation $\leq 8\%$, ideal for long-term use needs



Large Tube Heat Capacity

2.0MHU/5.0MHU

- Longer continuous single-scan time
- Higher scanning throughput
- Durable components with extended lifespan



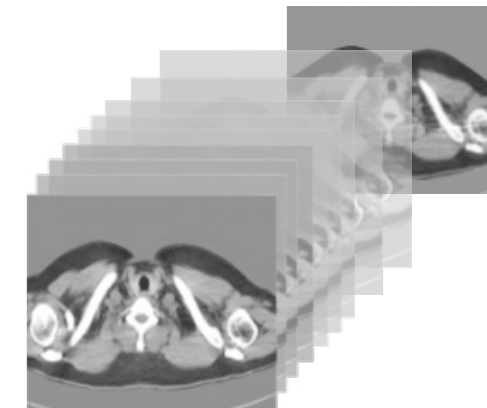
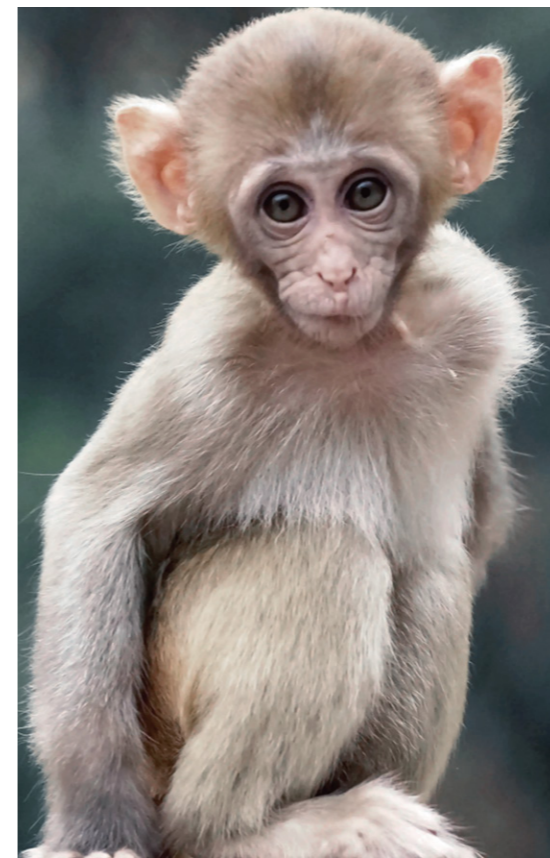
Large Output Power

32kW/42kW

- Versatile voltage and current selection
- Flexibility with multiple scan protocols
- 70kV makes low radiation possible



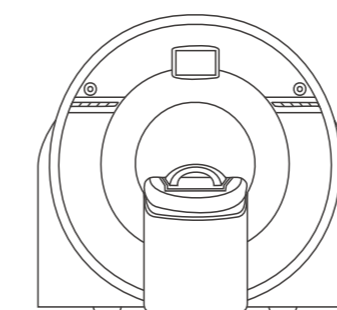
Exceptional Image Quality



Admir^{3D}

Iterative Reconstruction Technology

Admir^{3D} applies mathematical and physics models to accurately construct and describe the signal's quantum characteristics. Iterative operations are performed in the three spaces of raw data, projection and image, to greatly reduce the image noise and achieve optimal image quality with low dose.



Raw data space

Projection space



Image space

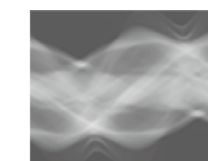
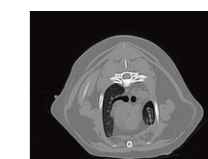


Image reconstruction





Exceptional Image Quality



Accu Image

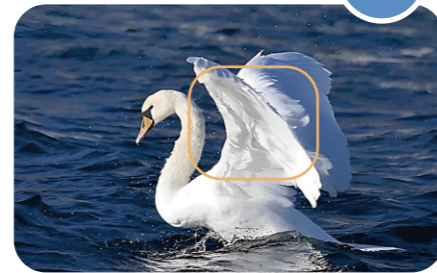
Reconstruction Technology

Enhance your diagnosis with our 1024x1024 reconstruction matrix, providing sharper and clearer imaging for reliable early detection, diagnosis, and treatment of diseases.

512



1024



Exceptional Image Quality

Abast

Bone Artifact Suppression

Amast

Metal Artifact Suppression

Eliminates the bone and metal artifacts, bringing a clearer diagnostic experience.

Accidental swallow



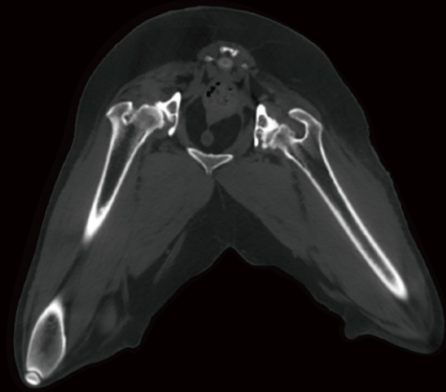
Fracture treatment



Implant placement



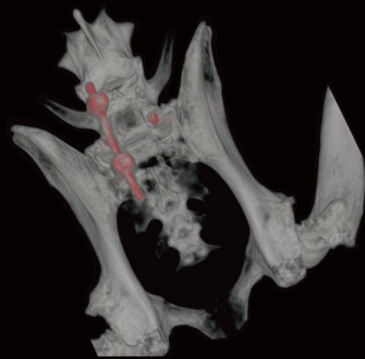
Comprehensive Clinical Application



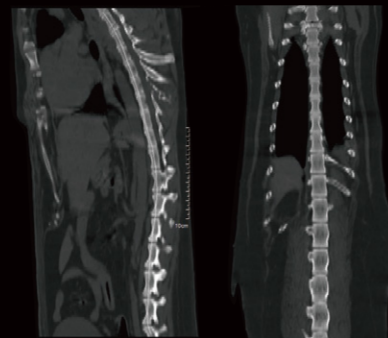
Hip Joint - 2D



Hip Joint - VR



After Steel Nail Surgery



Spine - CPR

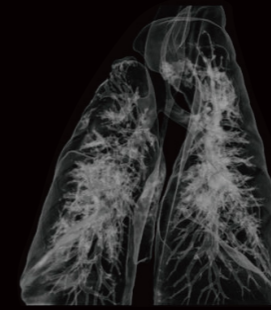


Shoulder Joint - VR

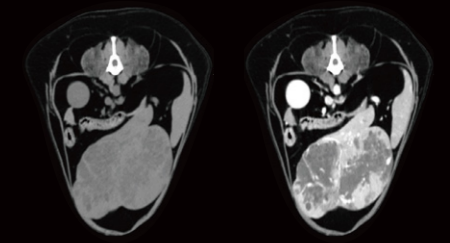


3D Bone of a Pregnant Cat

Comprehensive Clinical Application



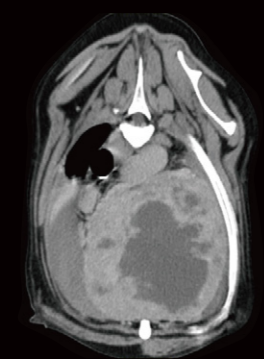
3D Lung



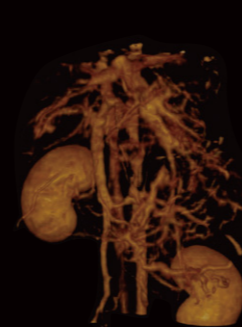
Liver Tumor Enhancement



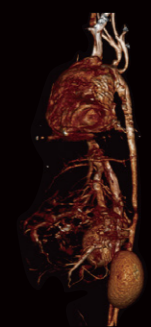
Abdominal Enhancement



Abdominal Mass



Tumor Vessels CTA



CTA



Boost Efficiency with Cost-effective



Purchase

An economic product specially designed for vet

Streamlined workflow improves the operational efficiency and profitability



After-sales

Equipped with the world-class high-end mainly components

With long lifespan and high efficiency



Facility

Installation space less than 18 m²

Minimize installation expenses



Running

Low total power consumption

AccuSaving: energy saving technology

All-around Service Support

01



Service response within 24 hours

02



Spare parts backup and fast delivery

03



Efficient service network, 200+ service engineers

